

Cost comparison stairs

Sales price with BIG 3D Printer 1063

machine hours printing	220 min. à	45 Fr./h =	CHF 165,00
mortar consumption	0,370 m3 à	1440,00 Fr./m3 =	CHF 533,21
water consumption	0,056 m3 à	2,00 Fr./m3 =	CHF 0,11
concrete consumption	2,288 m3 à	450,00 Fr./m3 =	CHF 1 029,59
machine hours reinforcement	120 min. à	45 Fr./h =	CHF 90,00
material costs reinforcement 50 kg / stairs		=	CHF 400,00
outsourcing	10 min. à	120 Fr./h =	CHF 20,00
profit/ loss	30%	CHF	671,37
VAT	8%	CHF	232,74

Price ex work with BIG 3D Printer CHF 3 142,03

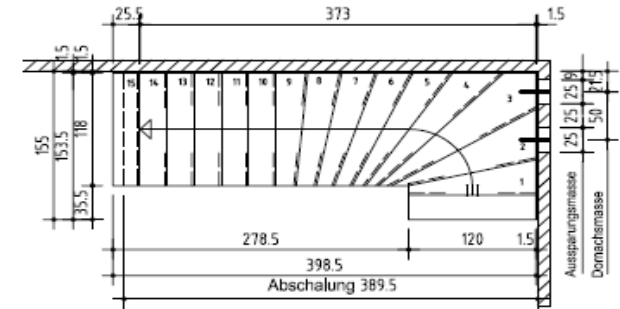
Sales price without BIG 3D Printer

Price list price without discount CHF 2 835,00

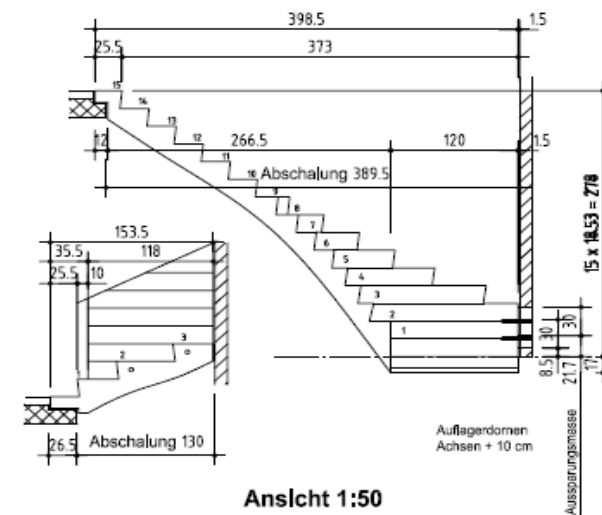
Post surcharges such as selling and administrative expenses or material costs are not taken into consideration.

Example prices Manufacture and sale Switzerland

printed hollow, filled with concrete, with reinforcement,
without surface processing



Grundriss 1:50



Ansicht 1:50